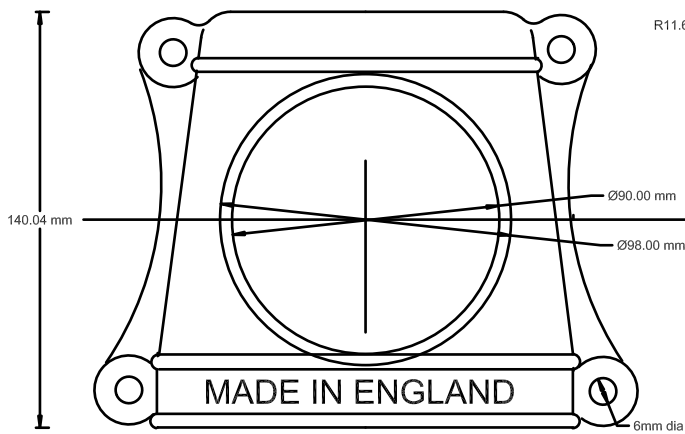
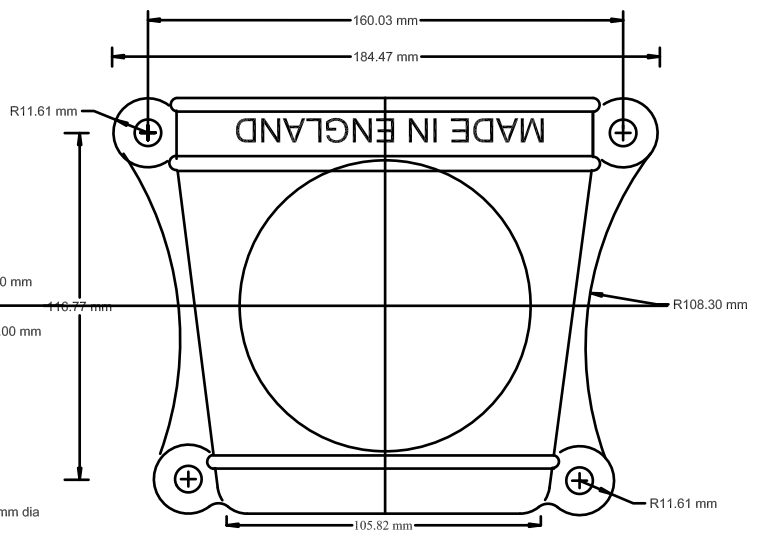


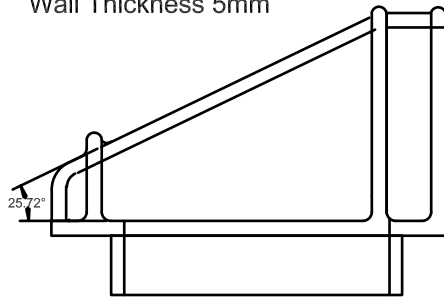
Extractor Vent Casting



Plan view



Wall Thickness 5mm



Side View

